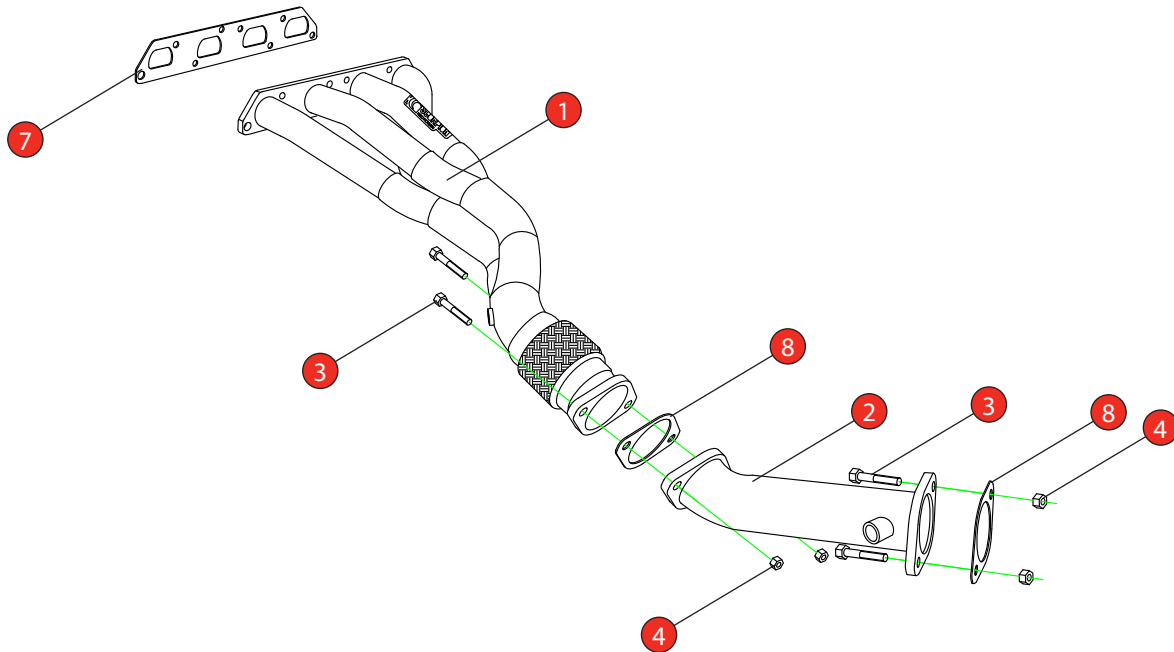


<b>Car</b>	Mini Cooper S R52/R53	<b>Part No.</b>	SMNC014
<b>Year</b>	2002-2006	<b>Fit Kits</b>	135FK / 382FK (Gasket Kit)
<b>Notes</b>	Where not supplied use original fittings. A sports cat section is available, contact your local Scorpion Dealer. Part number: 709BM	<b>Features</b>	Pipe Diameter:- 41mm - 63.5mm

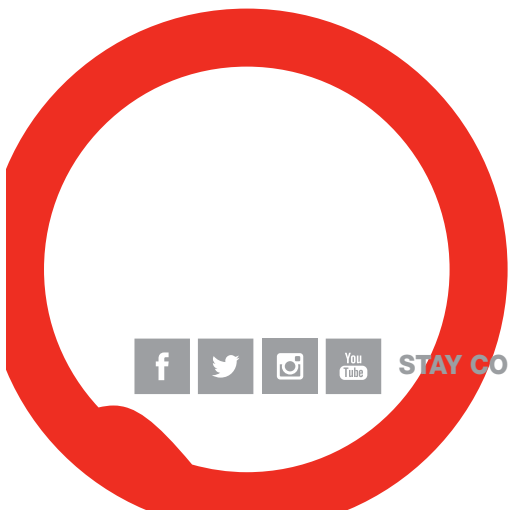
Estimated Fitting Time: 2 Hours 15 Minutes



NO.	PART NO.	DESCRIPTION	QTY
1	708BM	Manifold	1
2	710BM	De-cat Section	1
<b>Fit Kit</b>			
3	Z017.10096	M10x40mm Hex Head Bolts	4
4	Z017.11017	M10 Nut	4
5	Z017.12718	M18 Copper Washer (use to blank off unused sensor)	1
6	Z017.12718	Lambda Blanking Plug (use to blank off unused sensor)	1
7	Z033.10066	Gasket (Supplied in gasket kit 382FK)	1
8	Z007.31674	Gasket (Supplied in gasket kit 382FK)	2

CLASSIFICATION	Motorsport Use Only
HOMOLOGATED	No
DATE	22/11/21
ISSUE	03
AUTHORISED	M.Ydlibi

**NOTE:** ENSURE SCORPION SYSTEM IS CLEAR OF MOVING PARTS AND ALL ORIGINAL FUNCTIONS WORK CORRECTLY.



STAY CONNECTED TO RED POWER.